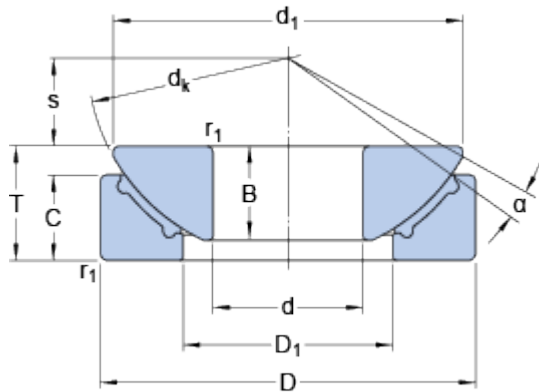


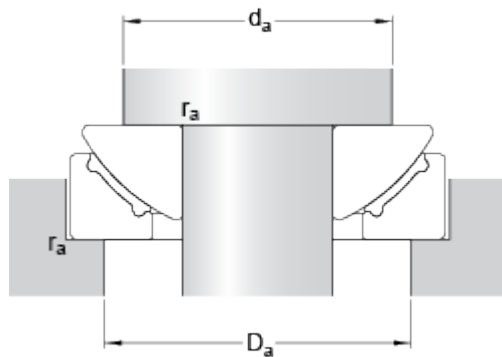
GX 35 F

Dimensions



d		35	mm
D		90	mm
T		28	mm
α		6	°
d_k		98	mm
d_1		84	mm
D_1		50.5	mm
B		22	mm
C		20.7	mm
r_1	min.	1	mm
s		22	mm

Abutment dimensions



d_a	min.	66	mm
D_a	max.	71	mm
r_a	max.	1	mm

Calculation data

Basic dynamic load rating	C	134	kN
Basic static load rating	C_0	216	kN
Specific dynamic load factor	K	50	N/mm ²
Specific static load factor	K_0	80	N/mm ²
Material constant	K_M	670	

Mass

Mass plain bearing	0.98	kg
--------------------	------	----